

BMP 2000.SID

ELECTRONIC FUEL DISPENSERS

KosmoTek
PUMPS Petrol Station Equipment



The fuel dispenser **BMP.2000.SID** serves for dispensing liquid oil products into road vehicles on commercial and retail outlets.

BMP.2000.SID is progressive single or double sided fuel dispenser with one or two or four hoses for dispensing optionally one or two products.

BMP.2000.SID is equipped with the high quality Japanese Hydraulic System **TATSUNO**.

Simple and attractive design with durable materials in addition to precise components and countless configurations lasts longer and offers certain benefit to their users.

❖ **ATEX Certified**

❖ **MID Certified**



The fuel dispensers operate in the manual mode and in the automatic mode, where the fuel dispenser is linked with the kiosk control system and the data concerning volume, sum and price are transmitted to POS.

KOSMO – TEK PUMPS POS can be used for fuel dispenser controlling or the fuel dispensers can be connected directly to the filling station control system.



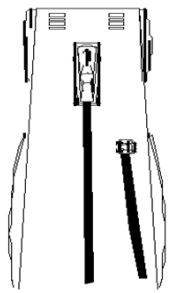
HYDRAULIC SYSTEM TATSUNO (JAPAN)

HIGH FLOW PERFORMANCE PETROL

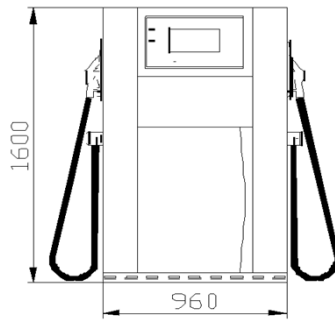


VAPOUR RECOVERY

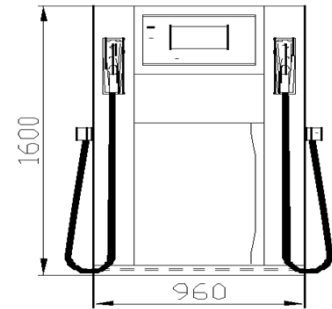




2 HOSES



4 HOSES



| MODEL | PRODUCTS | HOSES | FLOWRATE |
|--------------|----------|-------|----------|
| BMP.2012.SID | 1 | 2 | 45LPM |
| BMP.2022.SID | 2 | 2 | 45LPM |
| BMP.2024.SID | 2 | 4 | 45LPM |

Accuracy : 0.25% with minimum dispensed quantity 2lts.

Ambient Temperature : -20 C to 50 C

Relative Humidity :5% to 95%

STANDARD SPECIFICATION

- ✓ **Construction:** Galvanized or powder-painted carbon steel
- ✓ **Suction pumps :** Monoblock **TATSUNO – JAPAN**, with gear pump, air separator and air sensor
- ✓ **Filter:** 110 µm mesh input filter, 61 µm mesh output filter, stainless steel, reusable, easy to clean
- ✓ **Meters:** 4 pistons volume meter **TATSUNO – JAPAN**
- ✓ **Pulsers:** Pulse transmitter **TATSUNO – JAPAN** 100 ppl (100 pulses per liter)
- ✓ **Motors:** ex three-phase motor, 3 x 400 V / 50 Hz, 0.75 kW, 1395 rpm
- ✓ **Control valves :** electromagnetic proportional valve +24 V dc
- ✓ **Hoses :**DN 16, DN 21 or DN 25
- ✓ **Nozzles:** Automatic 5/8", 3/4"
- ✓ **Calculator :** TBELTx with electronic volume/amount totalizers for every dispensing nozzle
- ✓ **Displays:** LCD with LED Backlighy with 6 digits for amount and volume and 5 digits for unit price.

OPTIONS

- Breakaway couplings
- Customized versions
- Electro-mechanical totalizers
- Flexible connection pipe
- Flexible hose suspension (HS)
- Graphics display with customer text messages (for model BMP 522.SX only)
- Housing – stainless steel
- infra-red remote controller
- Main safety switch
- Payment terminal – integrated solution for wide range of terminals
- Sight glass
- Single phase supply
- Submersible version (remote dispenser)
- Ultra high speed flow rate 160 l/min
- Vapor recovery system
- Variable hose length
- Various color performance
- Volume and amount preset function via push buttons
- Wide range of data line communication protocol converters
- 40/80/140LPM Flowrate selection

KosmoTek
pumps *Petrol Station Equipment*

Add: Laimos Louzitania, 19300, Aspropyrgos, Greece

Tel. +302105577005, 2105577303-4, Fax. +302105577006

e-mail : info@ktpumps.gr,

website: www.kosmotek-pumps.gr